

# CS66 | 6-axis Collaborative Robot

CS SERIES

 **6kg**  
Payload

 **914mm**  
Radius

 **±0.03mm**  
Repeatability

 **2.8m/s**  
Max TCP Speed



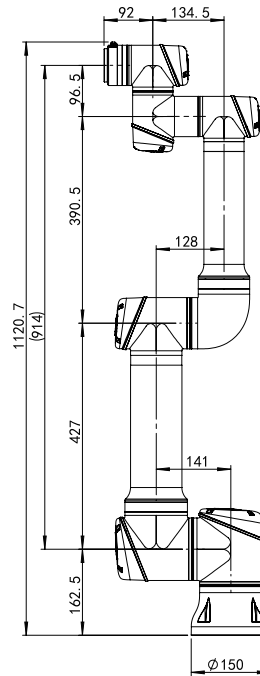
# CS66

## CS SERIES

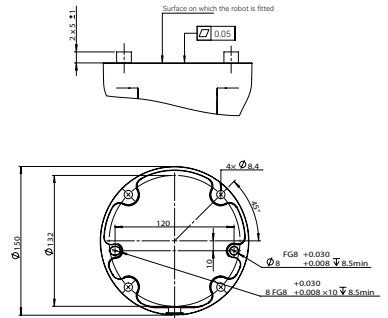


### Robotic Arm

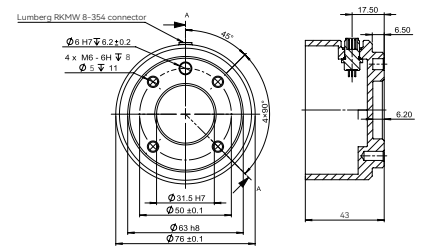
Payload	6kg
Radius	914mm
Repeatability	±0.03mm
Axis	6
<b>Joints rotation</b> J1-J6	±360°
<b>Joints speed</b> J1-J2	150°/s
<b>Joints speed</b> J3	180°/s
<b>Joints speed</b> J4-J6	230°/s
Max TCP Speed	2.8m/s
IP rating	IP68
Temperature range	0-50 °C
Relative humidity	<90% (non-condensing)
Typical power usage	250w
Mounting	Any angle
Tool I/O connector	M8, 8pin
Tool I/O ports	4 config. DI, 4 config. DO; 1 AI, 1 AO
Tool I/O power supply	12V / 24V; 3A, 2A, 1A
Tool I/O communication	RS485
Footprint	Ø150mm
Weight	20kg
Material	Aluminum, Steel
Cable length	5.5m
Certifications	CE-EMC, CE-MD, NRTL, SEMI, RoHS, ISO-13849



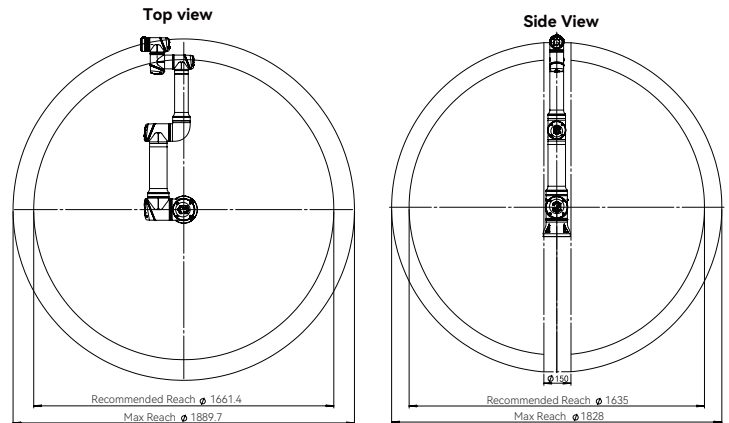
CS66 external dimensional drawing



CS66 base top view



CS66 end flange



CS66 working range diagram

### Teach-Pendant



Size	301mm x 232mm x 54mm
Material	Aluminum, Plastic
IP rating	IP54
Resolution	1280 x 800 pixels
Weight	1.7 kg
Cable length	5.5 m
Temperature range	0-50 °C
Input method	Capacitive touch-screen

### Controller



Size	505mm x 432mm x 257mm
Material	Aluminum, Steel
IP rating	IP44
I/O ports	24 x DI (8 config.), 24 DO (8 config.); 2 x AI, 2 x AO, 4 x High Speed DI
I/O power supply	24V; 3A (internal), 6A (external)
Communication	3 Ethernet, 1 RS485, TCP/IP, MODBUS TCP/RTU, EtherNet/IP slave, Profinet slave
Temperature range	0-50 °C
Power source	100-240 VAC, 50-60 Hz / 19-72VDC

The controller is also available in an OEM version.