



CS63 | 6-axis Collaborative Robot

CS SERIES



3kg
Payload



624mm
Radius



± 0.02 mm
Repeatability



2.0m/s
Max TCP Speed

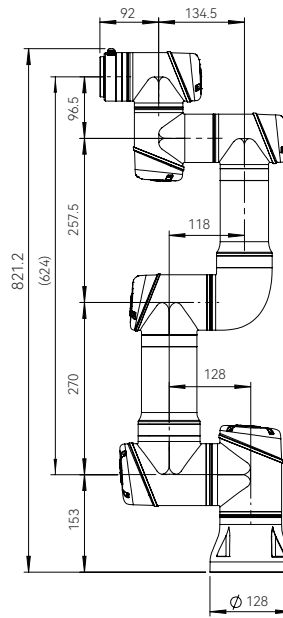
CS63

CS SERIES

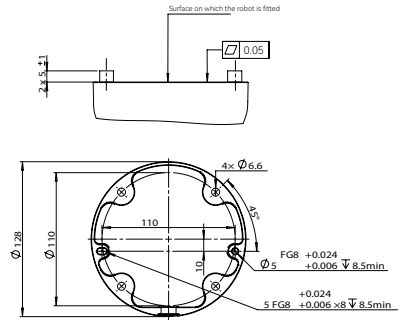


Robotic Arm

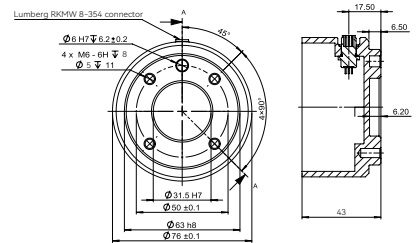
Payload	3kg
Radius	624mm
Repeatability	±0.02mm
Axis	6
Joints rotation J1-J6	±360°
Joints speed J1-J2 J3-J6	180°/s 230°/s
Max TCP Speed	2.0m/s
IP rating	IP68
Temperature range	0-50 °C
Relative humidity	<90% (non-condensing)
Typical power usage	185w
Mounting	Any angle
Tool I/O connector	M8, 8pin
Tool I/O ports	4 config. DI, 4 config. DO; 1 AI, 1 AO
Tool I/O power supply	12V / 24V; 3A, 2A, 1A
Tool I/O communication	RS485
Footprint	Ø128mm
Weight	15kg
Material	Aluminum, Steel
Cable length	5.5m
Certifications	CE-EMC, CE-MD, NRTL, SEMI, RoHS, ISO-13849



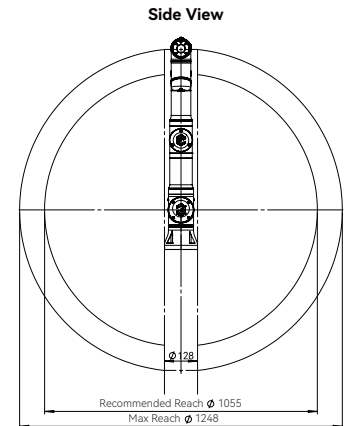
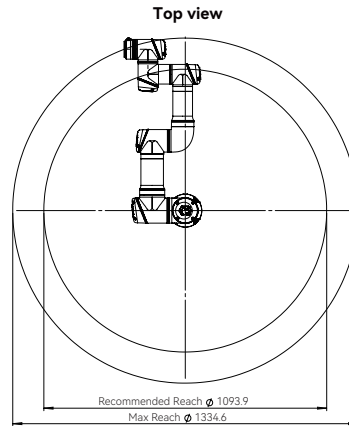
CS63 external dimensional drawing



CS63 base top view



CS63 end flange



CS63 working range diagram

Teach-Pendant



Size	301mm x 232mm x 54mm
Material	Aluminum, Plastic
IP rating	IP54
Resolution	1280 x 800 pixels
Weight	1.7 kg
Cable length	5.5 m
Temperature range	0-50 °C
Input method	Capacitive touch-screen

Controller



Size	505mm x 462mm x 257mm
Material	Aluminum, Steel
IP rating	IP44
I/O ports	24 x DI (8 config.), 24 DO (8 config.); 2 x AI, 2 x AO, 4 x High Speed DI
I/O power supply	24V; 3A (internal), 6A (external)
Communication	3 Ethernet, 1 RS485, TCP/IP, MODBUS TCP/RTU, EtherNet/IP slave, Profinet slave
Temperature range	0-50 °C
Power source	100-240 VAC, 50-60 Hz / 19-72VDC

The controller is also available in an OEM version.

www.eliterobots.com

Elite Robots @EliteRobotsOfficial

elliTek, inc.
 An Engineering Elite Automation Distribution Company
 7139 Regal Lane
 Knoxville, TN 37918, United States
 Tel: +1 423-494-6777
 www.elliTek.com
 Wayne.Bledsoe@elliTek.com