

ECONOMICAL ROD-STYLE ELECTRIC CYLINDER



ERD

The ERD is an economical electric cylinder compatible with many NEMA & metric mount stepper and servo motors to create a flexible, powerful, yet cost-effective electric cylinder solution over traditional pneumatic cylinders.

 ACTUATOR SIZING
 CAD LIBRARY
COMPLETE INFORMATION, SIZING SOFTWARE AND SOLID MODELS AVAILABLE AT:
www.tolomatic.com

• MULTIPLE SCREW TECHNOLOGIES •
YOU CAN CHOOSE:

- Solid nuts of bronze (15, 20 sizes) or engineered resins (.06, 10, 15 sizes) offer quiet performance at the lowest cost
- Ball nuts (10, 15, 20 sizes) offer efficiency at a cost effective price

• THREADED NOSE MOUNT WITH JAM NUT •



• PATENTED •

OVERSIZED MAIN BEARING

- Oversized for long life
- Accommodates high thrust load

INTERNAL MAGNET

- For sensor signaling

• NEMA OR YOUR MOTOR HERE •

NOSE BEARING

- Engineered resins for smooth operation
- Provides critical support of thrust rod

THREADED ROD END

STAINLESS-STEEL THRUST TUBE & MAIN TUBE

- 300 series stainless-steel provides high rigidity and corrosion resistance

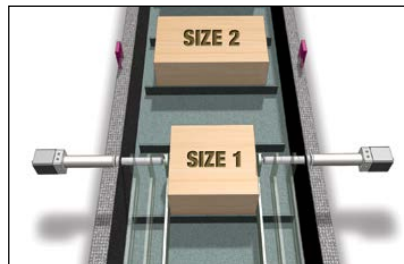
Options:

TRR – Trunnion Mount	ARI – Internal Anti-rotate
PCD – Rear Clevis Mount	SS1 – 300 Series Stainless Steel
FM2 – 2 Foot Mounts	IP67 – IP67 Seal
FFG – Front Flange	IP69K – IP69K Seal
	GD2 – Light Duty External Guide

Applications:

- Aligning
- Animation
- Assembly
- Automotive
- Conveyors
- Diverting
- Fillers
- Gating
- Material handling systems
- Medical equipment
- Open / close doors
- Packaging equipment
- Pick & place
- Plate positioning change
- Press fit
- Robot manipulator arms
- Sonic welding
- Sorting
- Volumetric pumps
- Web guidance
- Wire winding & more!

Product Change Over



Complete Your System:



ACSI Integrated Motor/Drive/Controller is matched to provide optimal performance with Tolomatic actuators

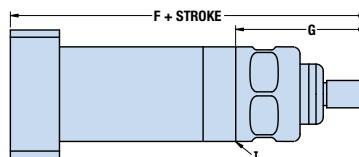
ECONOMICAL ELECTRIC: PNEUMATIC CYLINDER REPLACEMENT

ERD

Specifications (metric measurement)

ERD SIZE	MAXIMUM STROKE	SCREW CODE	LEAD	LEAD ACCURACY	BACKLASH	MAXIMUM THRUST	DYNAMIC LOAD RATING
mm			mm/rev	mm/300mm	mm	N	N
06	203.2	SN02	12.70	0.13	0.18	89	NA
		SN04	6.35	0.13	0.18	89	NA
		SN16	1.60	0.13	0.18	89	NA
10	254.0	SN01	25.4	0.18	0.18	188	NA
		SN02	12.7	0.18	0.18	188	NA
		SN05	5.08	0.18	0.18	188	NA
15	304.8	SN01	25.4	0.15	0.18	334	NA
		SN02	12.7	0.13	0.18	334	NA
		SN05	5.08	0.15	0.18	334	NA
15	609.6	BNM05	5.00	0.87	0.13	890	2002
		BNM10	10.00	0.87	0.13	890	1779
		BZ10	2.54	0.15	0.20	890	NA
20	609.6	BNM05	5.00	0.87	0.13	2224	4003
		BNM10	10.00	0.87	0.13	2224	4003
		BNM20	20.00	0.87	0.10	2224	11387
		BZ10	2.54	0.15	0.20	2224	NA

Dimensions OPTION: IP67, IP69K

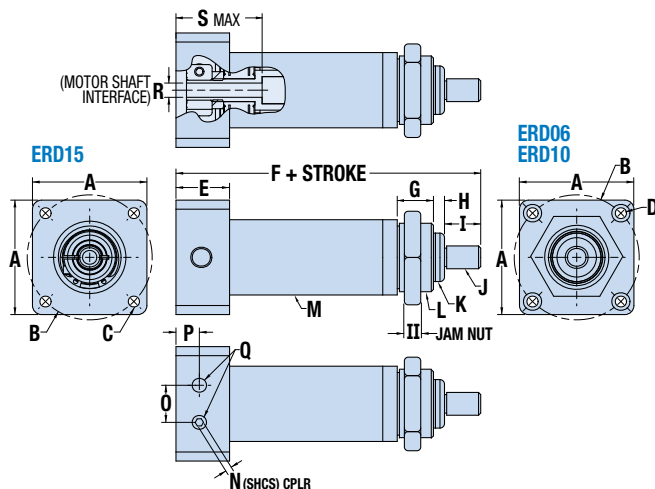


*Dimension shown is with Tolomatic AMxxx motor hardware YMH option will determine this dimension.

IP67 & IP69K Option replaces the Jam Nut

	ERD06	ERD10	ERD15	ERD20
IP67				
F mm	116.6	121.8	152.4*	204.8*
G mm	44.30	44.17	53.0	72.5
IP69K				
F mm	NA	128.1	164.8	204.8*
G mm	NA	50.52	65.7	72.5
I	Surface for mounting options			

Dimensions SIZE: 06, 10, 15, 20



	ERD06	ERD10	ERD15	ERD20
A mm	28.58	40.13	56.39*	*
B mm	Ø32.69	Ø43.82	Ø66.68*	*
C mm	-	-	M4 x 0.7*	*
D mm	Ø3.45	Ø3.91	-	*
F mm	98.5	106.7	137.2*	*
I mm	9.53	12.70	19.05	19.05
L mm	M16 x 1.5	M24 x 1.5	M34 x 1.5	M44 x 1.5
O mm	13.00	13.00	13.00	23.37
P mm	6.71	8.20	7.57*	*
Q mm	(2) M4 x 0.7 ‡2.5	(2) M6 x 1.0 ‡7.9	(2) M6 x 1.0 ‡12.7	(2) M6 x 1.0 ‡12.7

*This dimension is determined by motor choice.

ACTUATOR SIZING
COMPLETE INFORMATION, SIZING SOFTWARE AND SOLID MODELS AVAILABLE AT:
www.tolomatic.com
CAD LIBRARY



COMPANY WITH QUALITY SYSTEM CERTIFIED BY DNV GL = ISO 9001 = Certified site: Hamel, MN

USA
3800 County Road 116
Hamel, MN 55340, USA
Phone: (763) 478-8000
Fax: (763) 478-8080
Toll-Free: 1-800-328-2174
sales@tolomatic.com
www.tolomatic.com

CHINA
Tolomatic Automation Products (Suzhou) Co. Ltd.
(ServoWeld® inquiries only)
No. 60 Chuangye Street, Building 2
Huqiu District, SND Suzhou
Jiangsu 215011 - P.R. China
Phone: +86 (512) 6750-8506
Fax: +86 (512) 6750-8507
ServoWeldChina@tolomatic.com

EUROPE
Tolomatic Europe GmbH
Elisabethenstr. 4 & 8
D-65428 Rüsselsheim
Germany
Phone: +49 6142 17604-0
EuropeSales@tolomatic.com

All brand and product names are trademarks or registered trademarks of their respective owners. Information in this document is believed accurate at time of printing. However, Tolomatic assumes no responsibility for its use or for any errors that may

appear in this document. Tolomatic reserves the right to change the design or operation of the equipment described herein and any associated motion products without notice. Information in this document is subject to change without notice.

Visit www.tolomatic.com for the most up-to-date technical information